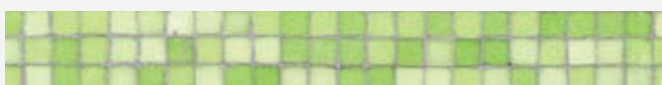
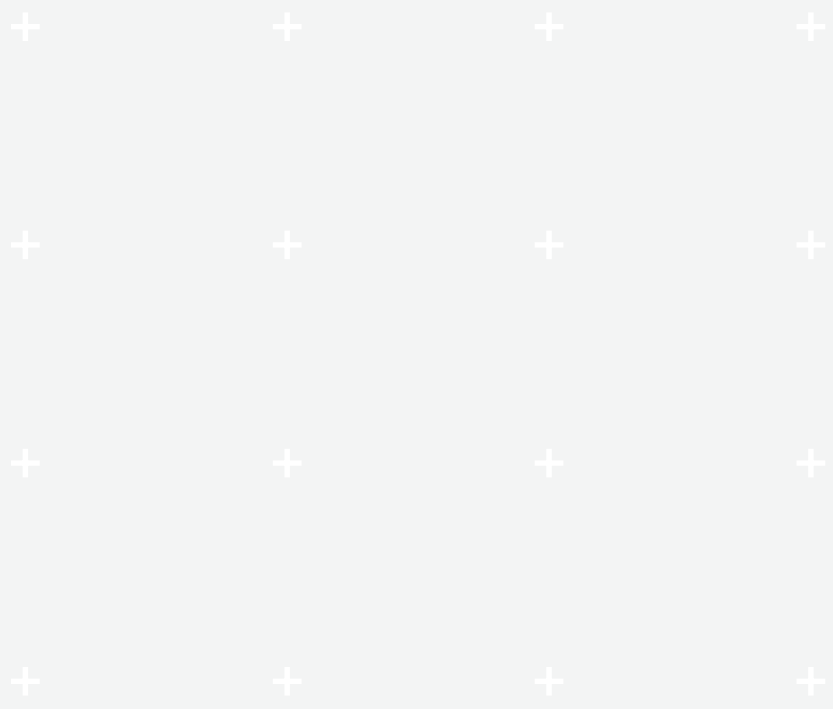
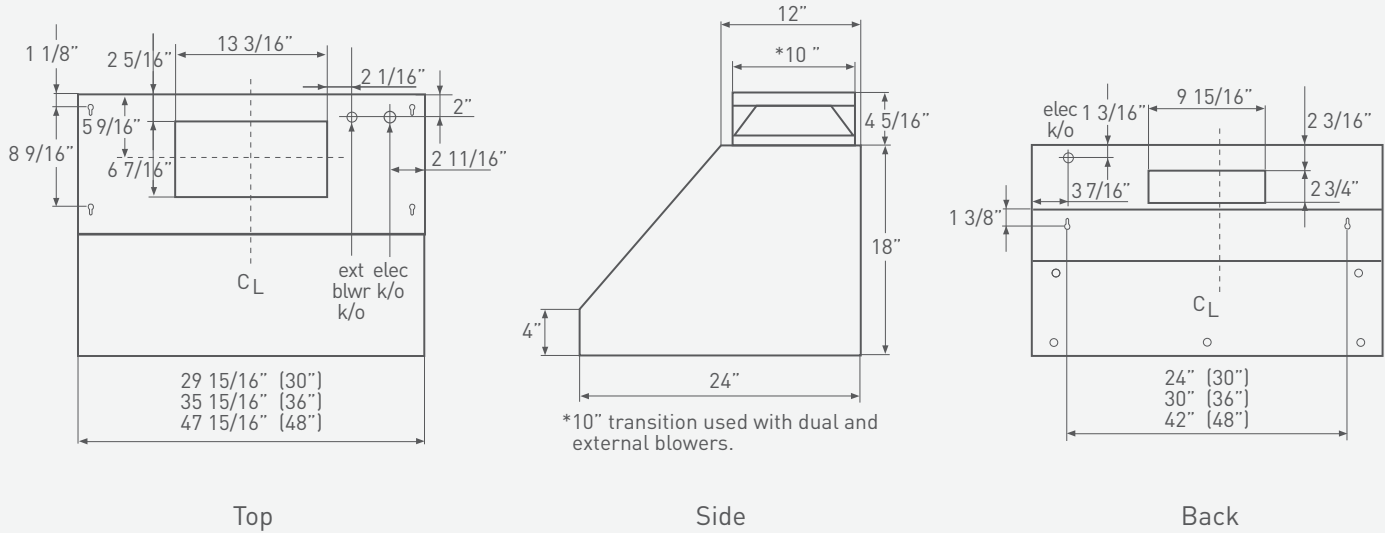


# TEMPEST II

Redesigned with professional-grade performance and seamless contours, Tempest II gives you all of the advanced features of the Tempest I plus up to three new, powerful internal and external blower options and sleek three-speed electronic controls. With dishwasher-safe, high-airflow baffle filters. An optional heat lamp kit. And new ducting options to meet nearly any spec. It's everything the demanding cook could ask for—and more.



# ESSENTIALS



## TEMPEST II

WALL

| MODEL                             | AK7500ASX               | AK7536ASX               | AK7548ASX               |
|-----------------------------------|-------------------------|-------------------------|-------------------------|
| <b>SIZE</b>                       | 30"                     | 36"                     | 48"                     |
| <b>NET WIDTH</b>                  | 30"                     | 36"                     | 48"                     |
| <b>*PERFORMANCE</b>               |                         |                         |                         |
| Single Internal Blower - CBI-290B | 290 CFM, 3.2 Sones Max. | 290 CFM, 3.2 Sones Max. | 290 CFM, 3.2 Sones Max. |
| Single Internal Blower - CBI-600B | 600 CFM, 6 Sones Max.   | 600 CFM, 6 Sones Max.   | 600 CFM, 6 Sones Max.   |
| Dual Internal Blower - PBI-1100A  | 1100 CFM, 8 Sones Max.  | 1100 CFM, 8 Sones Max.  | 1100 CFM, 8 Sones Max.  |
| In-Line Blower - PBN-1000A        | 1000 CFM, Sones NA      | 1000 CFM, Sones NA      | 1000 CFM, Sones NA      |
| External Blower - CBE-1000        | 1000 CFM, Sones NA      | 1000 CFM, Sones NA      | 1000 CFM, Sones NA      |
| <b>COLOR</b>                      | SS                      | SS                      | SS                      |
| Stainless Steel                   |                         |                         |                         |
| <b>FEATURES</b>                   |                         |                         |                         |
| Controls                          | Electronic Touch        | Electronic Touch        | Electronic Touch        |
| Speed Levels                      | 3                       | 3                       | 3                       |
| Auto Delay-Off                    | Yes                     | Yes                     | Yes                     |
| Lighting                          | Halogen, 35W x 2        | Halogen, 35W x 2        | Halogen, 35W x 3        |
| Dual-Level Lighting               | Yes                     | Yes                     | Yes                     |
| Filters                           | Baffle x 2              | Baffle x 3              | Baffle x 4              |
| Recirculating                     | No                      | No                      | No                      |
| Duct Cover Extension              | NA                      | NA                      | NA                      |
| <b>DUCT SPECIFICATIONS</b>        |                         |                         |                         |
| Vertical - Single/Dual            | 6" / 10"                | 6" / 10"                | 6" / 10"                |
| In-Line/External                  | 10" / 10"               | 10" / 10"               | 10" / 10"               |
| **Horizontal                      | 3 1/4" x 10"            | 3 1/4" x 10"            | 3 1/4" x 10"            |
| <b>AC INPUT</b>                   | 120V - 60Hz             | 120V - 60Hz             | 120V - 60Hz             |
| <b>***AC POWER</b>                |                         |                         |                         |
| Hood Only                         | Max. 70W, 0.58 Amps     | Max. 70W, 0.58 Amps     | Max. 105W, 0.87 Amps    |
| With Heat Lamps                   | Add 500W, 4.2 Amps      | Add 500W, 4.2 Amps      | Add 500W, 4.2 Amps      |
| <b>OPTIONAL ACCESSORIES</b>       |                         |                         |                         |
| Back Splash w/ Warming Racks      | AK0710                  | AK0716                  | AK0718                  |
| Duct Cover (12")                  | AK0720                  | AK0726                  | AK0728                  |
| Heat Lamps                        | AK0700BS                | AK0706BS                | AK0708BS                |

|                  |   |   |
|------------------|---|---|
| Mounting Heights | Min. height 26" from cooking surface.<br>Hood mounted 62" from floor. | Max. height 36" from cooking surface.<br>Hood mounted 72" from floor. |
|------------------|---|---|

\* Requires purchase of Zephyr blower, sold separately. \*\* Horizontal ducting is compatible with CBI-290B and CBI-600B blowers only. \*\*\* AC power listed above is for hood with lights only. For full blower specs, see [www.zephyronline.com](http://www.zephyronline.com).

# ESSENTIALS



### Zephyr Corporation

2277 Harbor Bay Parkway  
Alameda, CA 94502

1.888.880.VENT

[www.zephyronline.com](http://www.zephyronline.com) june08.0201

